

**Expertise,
quality,
convenient
operation and
patented
solutions.**

ZAUGG AG is an internationally successful mechanical engineering company and has stood for expertise, quality and patented solutions since 1893.

At our Swiss production plant, we develop and manufacture snow-clearing equipment for roads, railways, airports and for grooming ski runs.

Our 150 employees are just as expert and reliable as our products and guarantee quality and customer focus.



ZAUGG Service

As well as providing the best products, we also provide the best service and support in the industry.

24/7 hotline for technical support at any time:
+41 (0)79 408 64 94

24h spare parts availability within Switzerland

Repairs and maintenance by our mobile experts, also on-site

Upgrades for enhancing efficiency

Digital services for remote maintenance in real time

All-inclusive maintenance contract as a peace of mind package

Professional training for your operators and maintenance crew

Top packages & retrofits to optimise service life

Our team. Reliable support for every scenario.

Ask for our service folder and get the most out of our after-sales products.
Service you can rely on. We look forward to talking to you!

Tel. +41 34 491 81 81
aftersales@zaugg.swiss

ZAUGG AG, Holzmatt 651 b, CH-3537 Eggiwil
Tel. +41 34 491 81 11 | sales@zaugg.swiss | www.zaugg.swiss



**Dynamic & strong.
ZAUGG impresses.
Since 1893.**

The Swiss original from Emmental.



**EVERY TYPE OF SNOW.
EVERY VEHICLE.
EVERY APPLICATION.**

ZAUGG AG. Expertise, quality and patented solutions.

ZF-SF-ALL-EN-3

Every type of snow.
Every vehicle.
Every application.

Key ZAUGG advantages at a glance:

ZAUGG Wet snow concept

ZAUGG snow blowers deliver impressive performance in wet snow and effortlessly handle every type of snow - from fresh powder to heavy, icy snow. Their robust, flexible design ensures they clear snow efficiently in all conditions.

ZAUGG Work safety concept

Safety clutches and shear bolts protect both operator and machine by disconnecting the Cutters and Turbine in case of overload. Combined with the optional Trip Edge, the system delivers complete protection for driver and equipment.

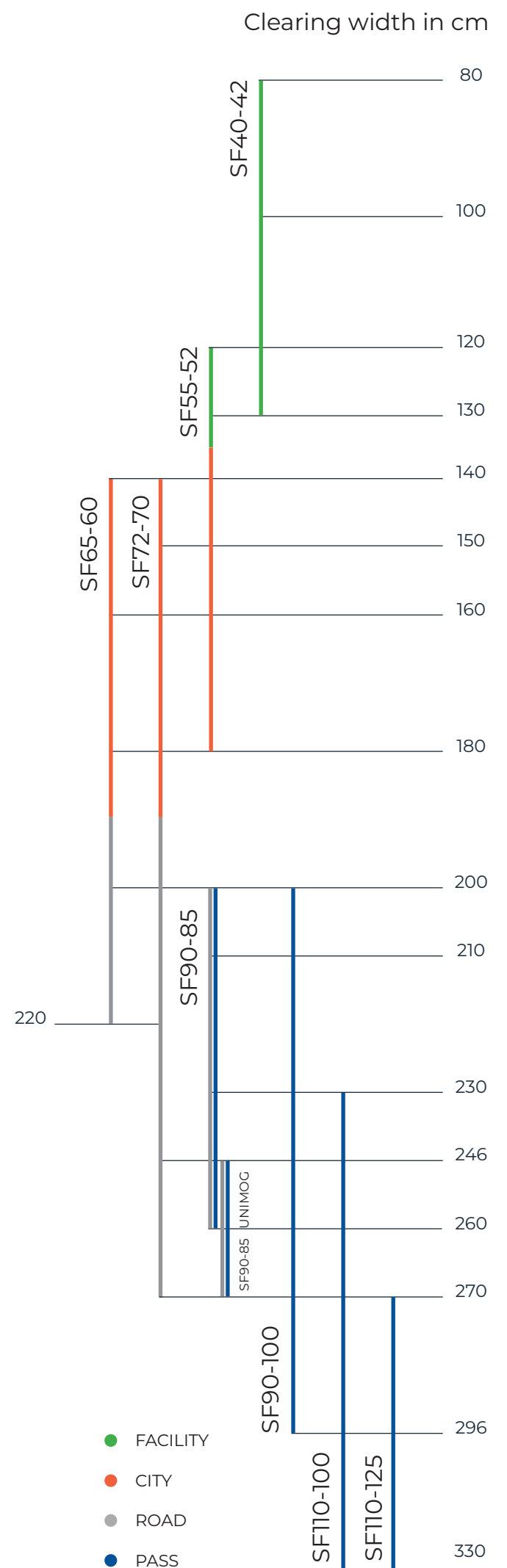
ZAUGG Smart operator set-up

The modular design ensures an optimum match to the carrier vehicle and the operating conditions. TÜV-tested for enhanced safety: visibility is unobstructed with the snow blower mounted in full compliance with TÜV regulations.

ZAUGG Low emission principle

Lower fuel consumption thanks to the optimised design, geometry and configuration of the rotor and impeller. Energy losses and wear are minimised as a result.

We look forward to talking to you about the many other advantages of ZAUGG snow blowers.

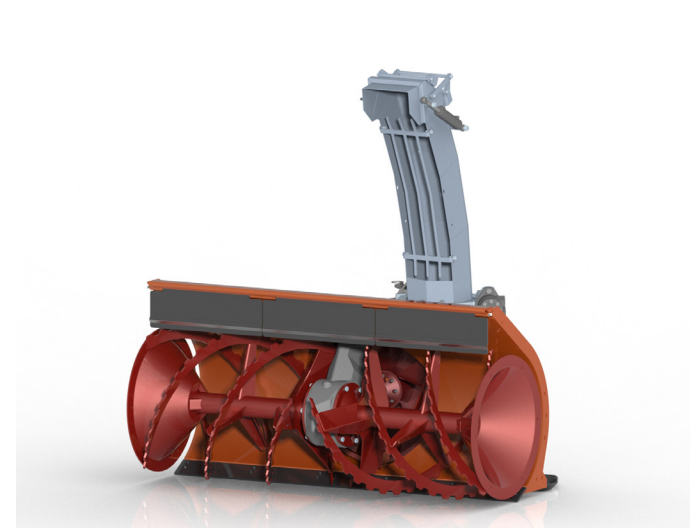


ZAUGG snow blower



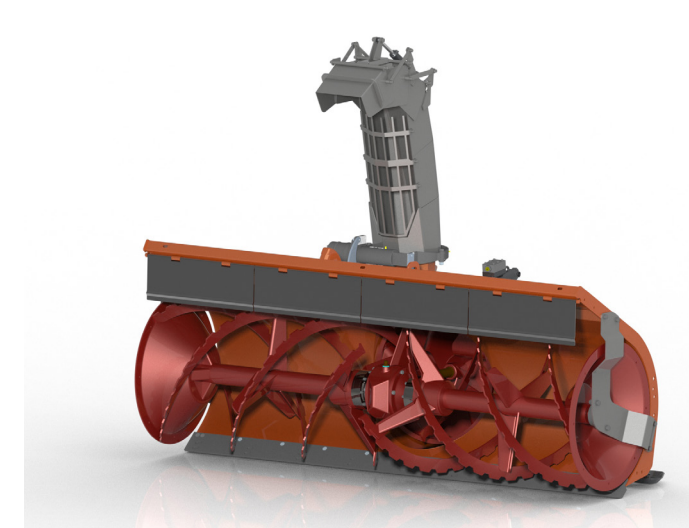
SF40

Power range:	7 - 20 kW
Rotor diameter:	40 cm
Impeller diameter:	42 cm
Clearing widths:	80 / 100 / 120 / 130 cm



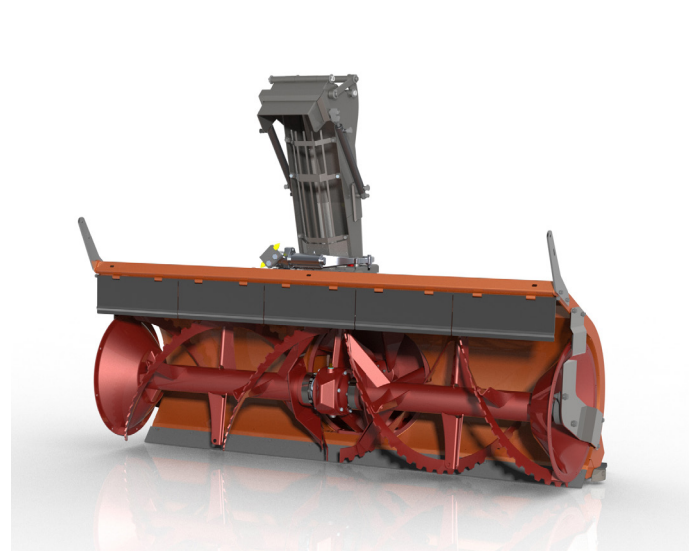
SF55

Power range:	12 - 50 kW
Rotor diameter:	55 cm
Impeller diameter:	52 cm
Clearing widths:	120 / 130 / 140 / 150 / 160 / 180 cm



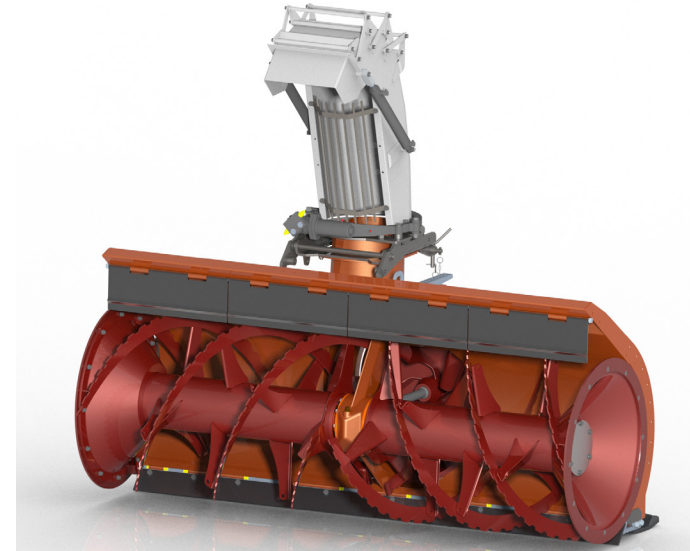
SF65

Power range:	30 - 90 kW
Rotor diameter:	65 cm
Impeller diameter:	52 cm
Clearing widths:	120 / 140 / 160 / 180 / 200 / 220 cm



SF72

Power range:	30 - 100 kW
Rotor diameter:	72 cm
Impeller diameter:	70 cm
Clearing widths:	140 / 150 / 160 / 180 / 200 / 220 / 246 / 270 cm



SF90

Power range:	50 - 200 kW
Rotor diameter:	90 cm
Impeller diameter:	70 / 85 / 100 cm
Clearing widths:	200 / 210 / 230 / 246 / 260 / 270 / 296 cm



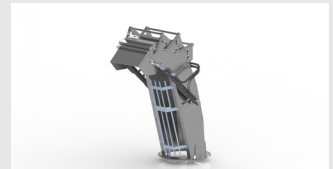
SF110

Power range:	100 - 400 kW
Rotor diameter:	110 cm
Impeller diameter:	100 / 125 cm
Clearing widths:	230 / 246 / 260 / 270 / 296 / 330 cm

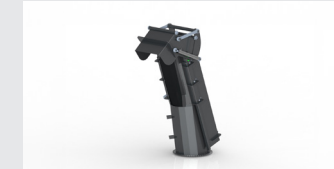
Options



2-flap chute



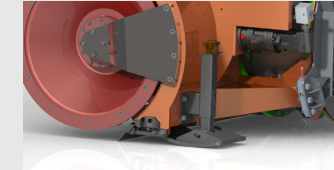
4-flap chute



Loading chute



Lighting



Side mounting

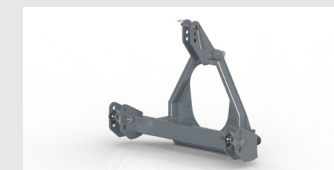


Guide roller

Drive system:

- Mechanical drive
- Hydraulic drive

Mounting systems



3-point



Skid steer loader



Wheeled loader mounting



Sideshift

Tel. +41 34 491 81 11
sales@zaugg.swiss

