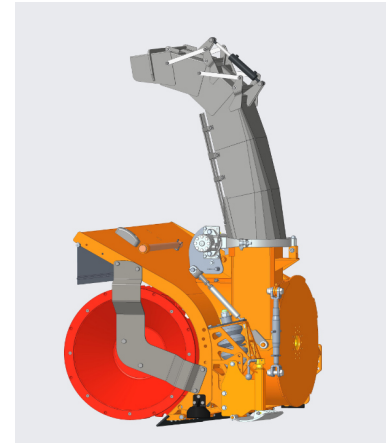
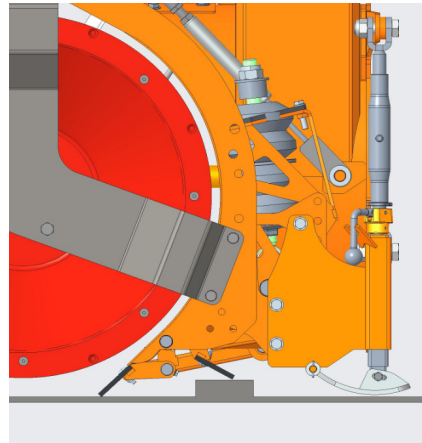
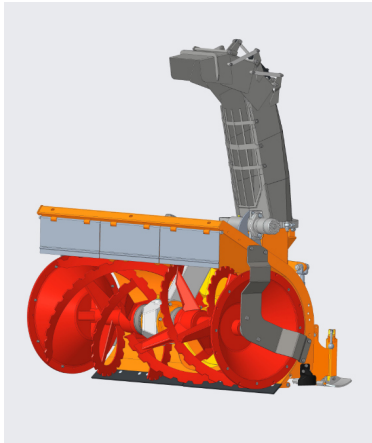




ZAUGG AG EGGIWIL

## ■ SNOW BLOWER SF 65-60 G

The SF 65-60 G snow blower is the first model to be equipped with the new, patented blade suspension system. When driving over obstacles, the snow blower is prevented from lifting and impacts are absorbed. This significantly reduces the load on the carrier vehicle and the attachment.



### ■ TECHNICAL DATA

#### Snow blower SF 65-60 G

Power requirement	30 - 90 kW
Cutter Ø	65 cm
Impeller Ø	60 cm
Clearing widths	140 / 160 / 180 / 200 / 220 cm
Max. clearing height	85 cm
Weight (depending on equipment)	520 kg - 680 kg

### ■ CONTACT

Holz matt 651b | CH-3537 Eggwil

☎ +41 (0) 34 491 81 11    ✉ info@zaugg.swiss



[www.zaugg.swiss](http://www.zaugg.swiss)